

Luer Lock Conversion Kit (P/N 58381-01)

Congratulations! You have just purchased the Luer Lock Conversion Kit (P/N 58381-01) for the Concorde CT Hand Probe from Hamilton. We combine highest quality materials with skilled workmanship, ensuring the highest possible performance level of every precision fluid device we manufacture. With proper care and handling, the Luer Lock Conversion Kit will provide years of use.

The Luer Lock Conversion Kit manufactured by Hamilton Company is intended for scientific research and laboratory use only and is not intended for human *in vivo* use.

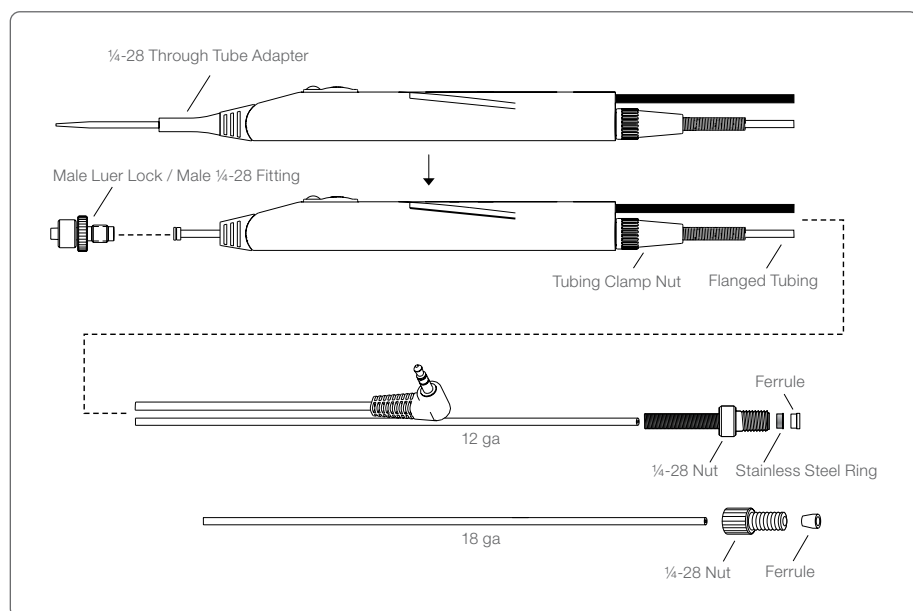


Figure 1: Exploded View of the Luer Lock Conversion Kit with Concorde CT Hand Probe

Assembling The Luer Lock Conversion Kit:

1. Unscrew and remove the 1/4-28 through tube adapter and save.
This piece is not required for use with the Luer Lock Conversion Kit.
2. Select the correct size tubing for your application. Use 18 gauge tubing with 1 mL syringes and smaller, use 12 gauge tubing with syringes greater than 1 mL.
3. Insert the non-flanged end of the tubing through the tip of the probe. Continue to pull the tubing through the probe until the flange catches onto the inside of the probe, and then tighten the tubing clamp nut.

Note: Do not over-tighten the tubing clamp nut as this can crimp the tubing.

4. Thread tubing through tubing management clips along the probe power jack.
5. Gently thread the male luer lock 1/4-28 fitting into the probe tip.

For 12 Gauge Tubing

6. Place the clear 1/4-28 threaded fitting, with attached strain relief spring, on the non-flanged tubing end with the threads facing the end of the tubing. Move the fitting down the tubing so it does not interfere with the next steps.
7. Place the stainless steel ring and the ferrule on the non-flanged tubing end. Correct orientation of the stainless steel ring is important; the flanged end of the ring should face toward the end of the tubing.

Note: Correct orientation of the ferrule is with the wider flanged side facing the end of the tubing.

8. Once all the pieces are assembled onto the tubing, simply screw the 1/4-28 nut into the valve while lightly pressing the tubing into the valve to ensure a flush connection. The stainless steel ring will compress onto the ferrule and create a tight connection between the valve and tubing.

Note: Do not over-tighten the 1/4-28 nut into the valve as this can damage the valve port.

For 18 Gauge Tubing

6. Place the clear 1/4-28 threaded fitting on the non-flanged tubing end with the threads facing the end of the tubing. Move the fitting down the tubing so it does not interfere with the next steps.
7. Place the clear cone shaped ferrule on the non-flanged tubing end. Correct orientation of the ferrule is with the wider flanged side facing the tubing end.
8. Once all the pieces are assembled onto the tubing, simply screw the 1/4-28 nut into the valve while lightly pressing the tubing into the valve to ensure a flush connection. The ferrule will compress onto the tubing to create a tight connection between the valve and tubing.

Note: Do not over-tighten the 1/4-28 nut into the valve as this can damage the valve port.

9. The Concorde CT Hand Probe should now look like Figure 2.

Note: The hand probe's fluid path is manufactured from FEP tubing that is extremely chemically inert; for chemical compatibility please reference the Microlab[®] manual.

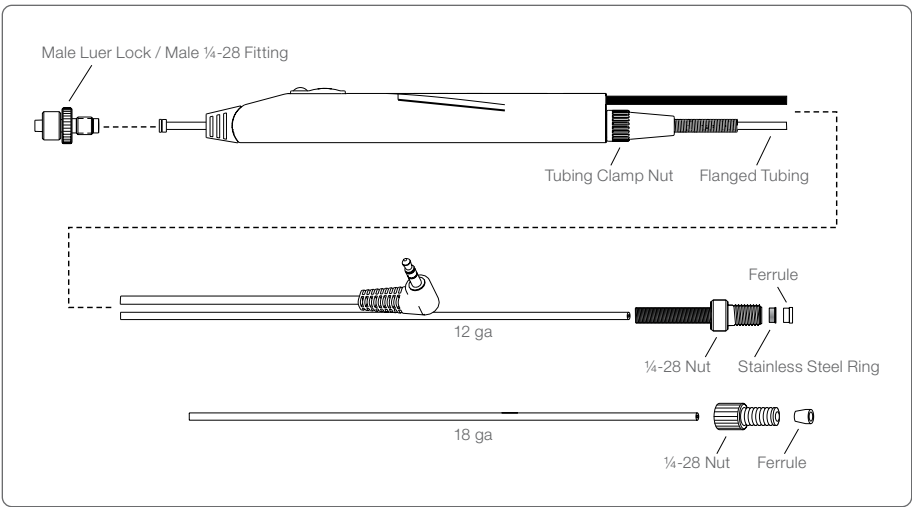


Figure 2: Final Assembly of Concorde CT Hand Probe with Luer Lock Conversion Kit

Replacement Parts

Description	Part Number
Male Luer Lock/Male 1/4-28 Fitting	59173-01
12 Gauge Flanged Tubing	59212-01
18 Gauge Flanged Tubing	59212-02
12 Gauge Flange Free Fitting Kit (Includes 5 ferrules, 5 stainless steel rings, and 5 1/4-28 nuts)	59211-01
18 Gauge Flange Free Fitting Kit (Includes 5 ferrules and 5 1/4-28 nuts)	59211-03

Warranty Statement

Hamilton Company unconditionally guarantees its products to be free of defects in materials and workmanship. Any product that fails due to a defect will be repaired or replaced at our discretion without cost, provided the device is returned on a Return Materials Authorization (RMA). It is the sole responsibility of the purchaser to determine product application suitability and material compatibility based on the published specifications of the product.

Return of Goods

Hamilton Company's return and repair policy is written to protect its employees from potentially hazardous materials (e.g., serum, radioactive materials, carcinogenic chemicals, etc.) or any substance that may cause them partial or permanent disability during the inspection or repair process. In returning a product, the customer acknowledges that the product is free from any hazardous materials. Furthermore, the customer assumes responsibility if the returned product proves to be hazardous.

©2021 Hamilton Company. All rights reserved.
All trademarks are owned and/or registered by Hamilton Company in the U.S. and/or other countries.
P/N 58704-01 Rev. G – 02/2021

HAMILTON 

Web: www.hamiltoncompany.com
USA: 800-648-5950
Europe: +40-356-635-055

Hamilton Americas & Pacific Rim
Hamilton Company Inc.
4970 Energy Way
Reno, Nevada 89502 USA
Tel: +1-775-858-3000
Fax: +1-775-856-7259
sales@hamiltoncompany.com

Hamilton Europe, Asia, & Africa
Hamilton Central Europe S.R.L.
str. Hamilton no. 2-4
307210 Giarmata, Romania
Tel: +40-356-635-055
Fax: +40-356-635-060
contact.lab.ro@hamilton-ce.com

To find a representative in your area, please visit hamiltoncompany.com/contacts.